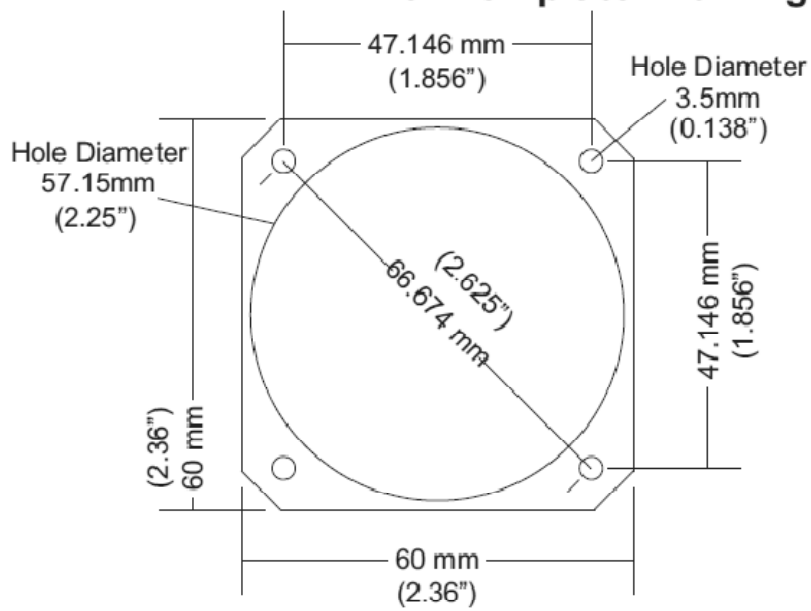


## 2.25" Template Drawing



### FRONT VIEW

3mm (0.118") mounting  
screws recommended

ACTUAL  
SIZE

**NOTE:** 57.15mm (2.25") is a standard cutout, but due to manufacturing tolerances, 58mm (2.28") is found to be more desirable.